



Commander

For Roadside Applications



Commander telephone in BT supplied cabinet

- **Vandal Resistant Handset and Cord**
- **Robust and weather resistant to IP65**
- **Large tactile buttons, easy to see and operate**
- **CB and 1, 3 and 6 button programmable autodialler telephones, Full keypad, Full keypad with memory**
- **CE Compliant**
- **HA Type 352A (NMCS II) version**
- **LD/DTMF and ELR/TBR**
- **SMART (Self Monitoring and Reporting Telephone) version available as an option**

The Commander family of telephones are tough, weather resistant units built to withstand abuse and environmental extremes.

As an Emergency Roadside Telephone, Commander is available as a CB, 1, 3 and 6 button autodialler with optional mounting kit to install the telephone in the UK Highway Agency Type 611D enclosure. The telephone sits neatly behind the door unit and is unique in offering a high degree of operator convenience and flexibility to the specifying department to meet roadside needs and ease of installation to the contractor.

The Commander body is moulded in glass filled polyester to prevent rust and corrosion. It is simple to install with fixings concealed from view giving increased security from vandalism.

The elimination of moving parts brings new levels of reliability to industrial and weather resistant telephones.

Internal switching for LD/MF and ELR/TBR selection enables it to connect to most PABX, PBX, PAX and NMCS II systems. Time out is standard and should the handset be left off-hook, the Commander will automatically revert to normal on-hook state after a period of 6-8 minutes. Also standard is an inductive coupler for the hard of hearing.

GAI-Tronics offers a complete unit comprising the telephone, enclosure, installation, pre-programming and aftercare. Should the road operator consider the SMART version, GAI-Tronics can retro-fit this and will undertake the management and after care of the product on behalf of the processing agency.

TECHNICAL SPECIFICATIONS

Speech / Telephone Network Interface:

Tested to iCTR37/CTR38 (PSTN versions)
Tested to BS6305 / BS6317 (NMCS II version)

Safety:

Tested to EN60950

EMC:

Tested to EN55022 (emissions)
Tested to EN55024 (immunity)

Lightning / Transients

Tested to ITU-T k.21 (enhanced levels)
NMCS versions tested to ITU-T k.20
SMART versions tested to ITU-T k.17

Dialling:

LD (pulse) or MF (tone). User selectable.

Ringing Tone:

Shrill warble tone 80 dBA @ 1 metre typical

Hookswitch:

Electronic / magnetic with no visible moving parts

Time Out:

Enforces a fixed call maximum time limit to 6-8 minutes from lifting of the handset. User selectable.

Recall Button:

Timed Break Recall. User selectable break interval.

Autodial programming:

Internal keypad (non-SMART versions)
Remotely programmable over phone line (SMART only)

Memory (autodiallers):

E²Prom - 10 year retention from programming.

Power Supply:

Drawn from telephone line

Operating temperature:

-20° C to +55° C

Relative Humidity:

Up to 95% (non-condensing)

Degree of protection:

Up to IP65

Casing Material:

Glass filled polyester.
Colours: yellow, grey or special order

Handset Material:

Cycloy (2850) with stainless steel spiral cord

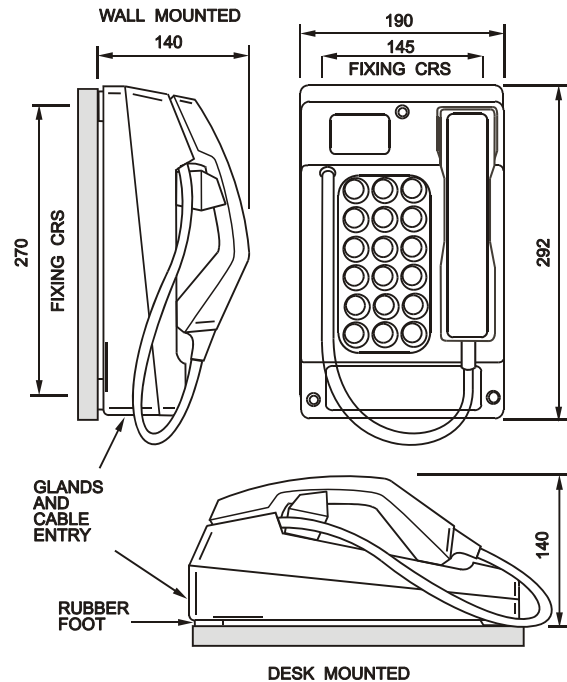
Keypad:

Weathersealed tactile digital keypad. Silicone rubber material, resistant to most chemicals and solvents.

Weight:

3 kg approx

DIMENSIONS



APPROVALS



This mark indicates compliance with the following directives:
Radio & Telecommunications Terminal Equipment Directive
1999/5/EC (R&TTE)

This mark indicates compliance for inductively coupling to
Hearing Aids having a 'T' switch position
Tested to ETS 300-381 and in accordance with ITU-T P37.

For specific country approval, please call

ORDER CODE (for other variants please call)

0 Button Yellow (PSTN) **2200L2424212N21**

1 Button Yellow (PSTN) **620-E212212112D**

0 Button Yellow (NMCS II) **028-02-1260-602**

OPTIONAL ACCESSORIES

Please ask for Brochure B150 or visit www.gai-tronics.co.uk

